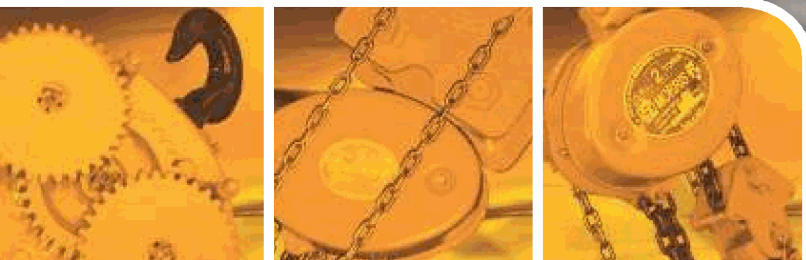


Chevi Group

**DECADES OF DEDICATION
TO THE NATION**



MORRIS - TRAVELLING TROLLEY



CHEVIGROUP'S Travelling Trolleys have low headroom and are designed and manufactured for efficient transportation of loads

Construction : Made from MS Rolled Steel Plates.

BEAM ADJUSTMENT : Side plates can be easily adjusted for different beam sizes by re-arranging the spacers.

WHEELS : Made from Cast Iron FG 200/220 to IS: 210. Deep & wide flanges prevent the wheels from climbing the track. Each wheel is mounted on two anti friction ball bearings for smooth, quiet running and better stability.

FEATURES : Trolleys can negotiate sharp curves due to the small radius of curvature & this feature makes it easy to install trolley for efficient transportation of loads in areas of limited space.

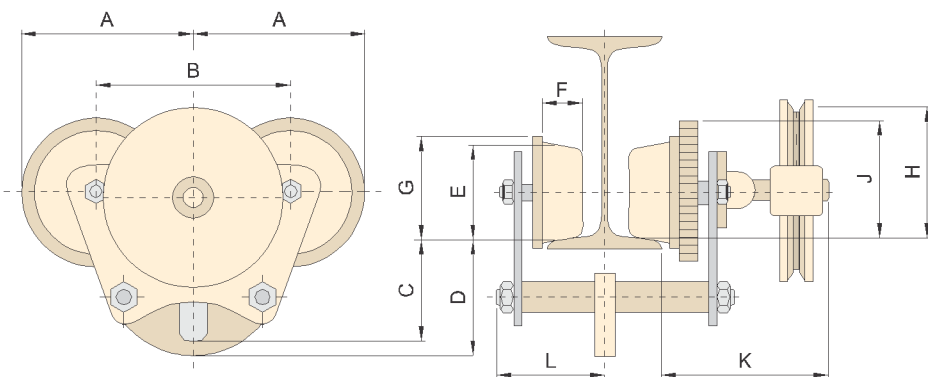
One year guarantee from the date of installation (or) 18 months from the date of supply, whichever is earlier.



Capacity (Safe Working load)		Tonnes	1.0	2.0	3.0	5.0	7.5	10.0
Test load		Tonnes	1.50	3.00	4.50	7.50	11.25	15.00
Track Width	Range-I	mm	75-125	80-140	80-150	100-150	140-210	140-210
	Range-II	mm	140-180	150-210	180-210	180-210	--	--
Minimum clear depth of track		mm	125	150	150	200	300	300
Minimum radius of track curve		m	1.5	2.0	2.0	2.5	3.5	3.5
Major Dimensions	C	mm	104	130	135	155	233	233
	D	mm	124	160	165	190	335	335
	E	mm	63	100	100	120	180	180
	F	mm	27	29	29	40	49	49
	L Range-I	mm	107	120	137	166	190	190
	L Range-II	mm	134	155	167	196	--	--
Geared Trolley	A	mm	125	181	181	207	280	280
	B	mm	136	201	201	234	308	308
	H	mm	114	133	133	161	363	363
	J	mm	89	130	130	150	216	216
	K	mm	140	160	160	197	235	235
Ung geared Trolley	A	mm	118	164	164	192	530	530
	B	mm	136	201	201	234	308	308
Weight (approx) for 3m clear lift		kg	23	37	42	81	214	220
Effort on hand chain to raise SWL		kg	9	14	16	26	34	36
Displacement achieved by 30M of hand chain		m	4.4	7.8	6.2	6.8	6.7	6.0

Our Engineering Department continuously works on design improvements and hence, we reserve the right of effecting any change without notice.

GEARED TRAVELLING TROLLEY



www.chevigroup.com

The name that
carries weight
in more ways than one