

Chevi Group

DECADES OF DEDICATION TO THE NATION



MORRIS - ELECTRIC WIRE ROPE HOISTS



'MORRIS' Rope Master Electric Hoists
are designed as per requirements of IS: 3938
for heavy duty operations
and repetitive use under most severe
operating conditions.

OPTIONAL FEATURES:

- a. Trolley suitable for negotiating curved beams.
- b. Different hoisting & cross travel speeds.
- c. Different height of lifts.
- d. Creep speed arrangements.
- e. Foot mounted motor with shoe type brake for hoist.
- f. CT Brake and limit switch.
- g. Festoon cable arrangement.

FRAME:

Made from MS Rolled Steel Plates.

ROPE DRUM:

Made from seamless steel pipe with spiral grooves on working surface.

ROPE GUIDE:

Made from Spheroidal Graphite Iron, ensures smooth winding of wire rope.

WIRE ROPE:

As per IS: 2266 of reputed make, suitable construction and with ample factor of safety.

HOOK:

Made of forged steel as per IS: 3815, supported on thrust bearing.

SQUIRREL CAGE INDUCTION MOTORS:

Conforms to IS: 325, totally enclosed surface cooled, hoist duty type, operating at 415V, 3 Phase, AC Supply.

HOIST GEAR BOX:

First stage & high speed gears are of helical type and subsequent stage gears are of spur type.

BEARINGS:

Deep groove ball bearings of reputed make are used on all rotating parts and are grease packed.

HOIST BRAKE:

ACEM Disc type brake provided for easy maintenance-mounted on the rear end of the motor.

HOIST LIMIT SWITCH:

Normal roller type limit switch provided for both over hoisting & over lowering.

PENDANT PUSH BUTTON:

Provided with control voltage of 24V as standard.

TROLLEY ADJUSTMENT:

Side plates can be easily adjusted for different beam sizes by re-locating the spacers.

HOIST MOUNTINGS:

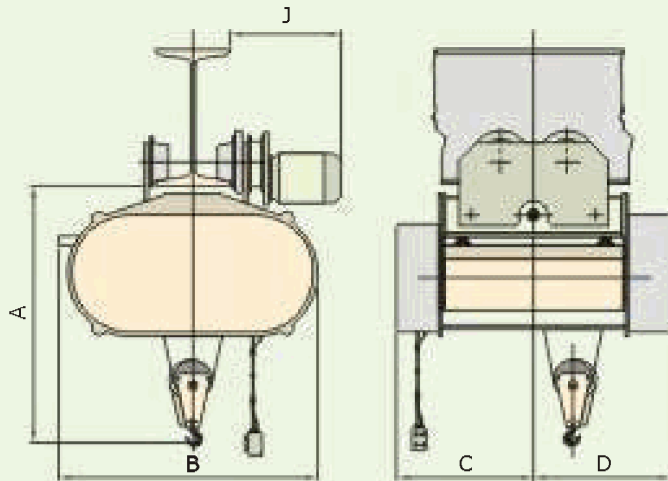
Hoist can be supplied with fixed suspension bracket / push-pull trolley (up to 2Te capacity) / geared trolley / power trolley.

CONTROL PANEL:

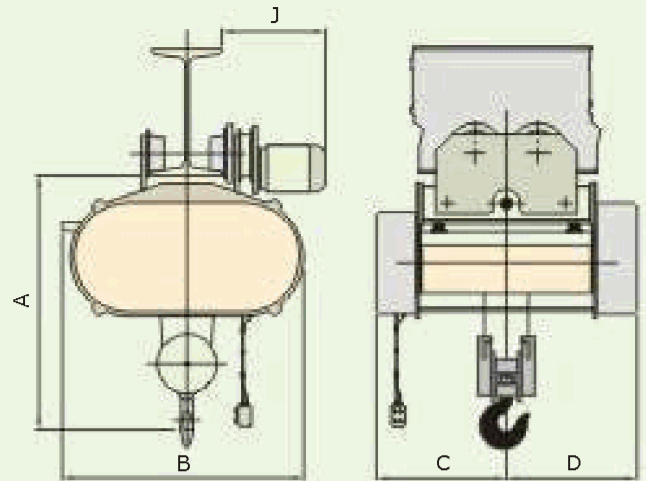
Provided with HRC Fuses, Overload Relays & Contactors.



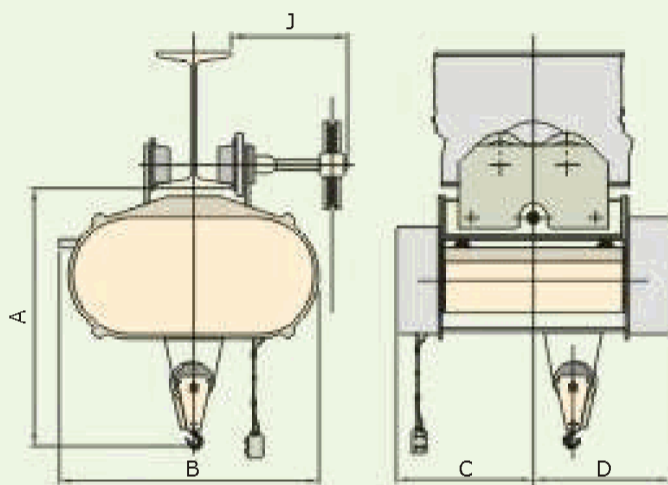
One year guarantee from the date of installation
(or) 18 months from the date of supply, whichever is earlier.



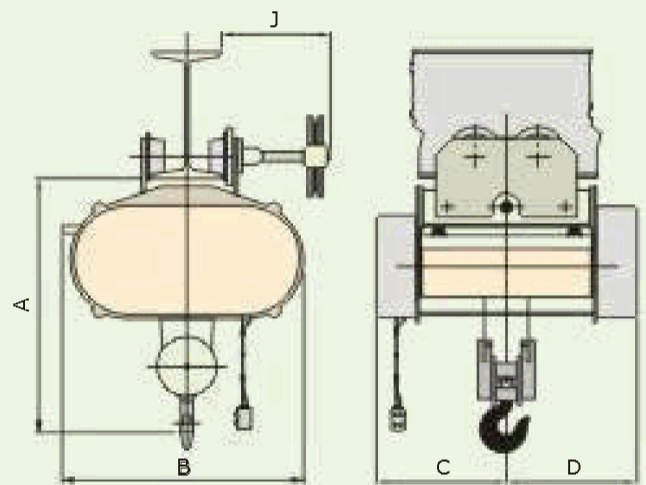
2 FALL ARRANGEMENT WITH POWER TROLLEY



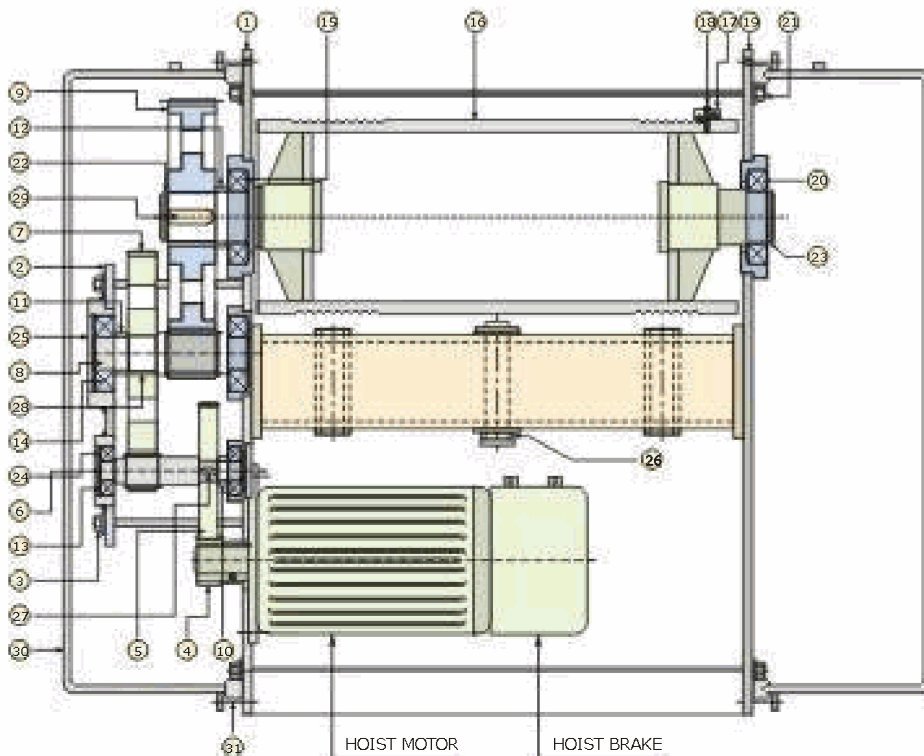
4 FALL ARRANGEMENT WITH POWER TROLLEY



2 FALL ARRANGEMENT WITH GEARED TROLLEY



4 FALL ARRANGEMENT WITH GEARED TROLLEY



- ① Geared Side Plate
- ② Outer Plate
- ③ Stud with Hex Nut, Lock Nut & Plain Washer
- ④ Motor Pinion
- ⑤ I Stage Gear
- ⑥ II Stage Pinion
- ⑦ II Stage Gear
- ⑧ III Stage Pinion
- ⑨ Drum Gear
- ⑩ Spacer (For II Stage Pinion)
- ⑪ Spacer (For III Stage Pinion)
- ⑫ Spacer (For Drum Shaft)
- ⑬ Bearing
- ⑭ Bearing
- ⑮ Bearing
- ⑯ Rope Drum
- ⑰ Rope Clamp
- ⑱ High Tensile Alien Key Bolt with Spring Washer
- ⑲ Contactor Side Plate
- ⑳ Bearing
- ㉑ Tie Rod with Hex Nut, Lock Nut & Plain Washer
- ㉒ External Circlip
- ㉓ External Circlip
- ㉔ Internal Circlip
- ㉕ Internal Circlip
- ㉖ Wire Rope
- ㉗ Key (For II Stage Pinion)
- ㉘ Key (For III Stage Pinion)
- ㉙ Key (For Drum Shaft)
- ㉚ Gear Box Cover
- ㉛ Rubber Gasket

'MORRIS' Rope Master Electric Hoists - Dimensions, weights and performance data

Capacity (Safe Working load)	Tonnes	0.5	0.5	1.0	1.0	1.0	1.0	2.0	2.0	2.0	2.0	3.0	3.0	5.0	5.0	
Number of falls	---	2	4	2	2	4	4	2	2	4	4	2	4	2	4	
Wire Rope Dia	mm	6.0	4.0	8.0	8.0	6.0	6.0	10.0	10.0	8.0	8.0	12.0	10.0	16.0	11.0	
Wire Rope Construction	---	18 x 7	6 x 19	18 x 7	18 x 7	6 x 36	6 x 36	18 x 7	18 x 7	6 x 36	6 x 36	18 x 7	6 x 36	18 x 7	6 x 36	
Test load	Tonnes	0.625	0.625	1.25	1.25	1.25	1.25	2.50	2.50	2.50	2.50	3.75	3.75	6.25	6.25	
Clear Lift	m	10.0	16.0	9.0	12.0	4.0	6.0	9.0	12.0	4.0	6.0	12.0	6.0	12.0	6.0	
Hoisting Speed	m/min	5.00	5.00	2.50	5.00	2.50	5.00	2.50	5.00	2.50	5.00	6.00	6.00	3.25	3.25	
Hoist Motor Power	hp	0.75	0.75	0.75	1.50	0.75	1.50	1.50	3.00	1.50	3.00	5.00	5.00	5.00	5.00	
Cross Travel Speed	m/min	15.00	15.00	18.00	18.00	18.00	18.00	18.00	18.00	18.00	18.00	18.00	18.00	15.00	15.00	
Cross Travel Motor Power	hp	0.25	0.25	0.25	0.25	0.25	0.25	0.25	0.25	0.25	0.25	0.50	0.50	0.50	0.50	
Dimensions																
A - For Power/Geared Trolley	mm	690	690	700	700	700	700	800	800	800	800	850	850	1000	950	
A - For Push-Pull Trolley	mm	680	680	700	700	700	700	800	800	800	800	850	850	1000	950	
A - For Fixed Mounting	mm	690	690	700	700	700	700	800	800	800	800	850	850	1000	950	
B	mm	540	540	750	750	750	750	750	750	750	750	825	825	930	930	
C	mm	395	395	400	455	400	455	450	505	450	505	515	515	540	540	
D	mm	395	395	400	455	400	455	450	505	450	505	515	515	560	560	
J - For Power Trolley	mm	290	290	330	330	330	330	330	330	330	330	330	330	350	350	
J - For Geared Trolley	mm	425	425	425	425	425	425	425	425	425	425	475	475	525	525	
Power Trolley																
Track width Range - I	mm	80-110	80-110	100-150	100-150	100-150	100-150	100-150	100-150	100-150	100-150	100-150	100-150	100-150	125-150	125-150
Track width Range - II	mm	125-180	125-180	180-210	180-210	180-210	180-210	180-210	180-210	180-210	180-210	180-210	180-210	180-210	180-210	180-210
Minimum clear depth of track	mm	150	150	200	200	200	200	200	200	200	200	200	200	200	250	250
Geared/Push-Pull Trolley																
Track width Range - I	mm	80-110	80-110	100-150	100-150	100-150	100-150	100-150	100-150	100-150	100-150	100-150	100-150	100-150	125-150	125-150
Track width Range - II	mm	125-180	125-180	180-210	180-210	180-210	180-210	180-210	180-210	180-210	180-210	180-210	180-210	180-210	180-210	180-210
Minimum clear depth of track	mm	150	150	200	200	200	200	200	200	200	200	200	200	200	250	250
Weight (Approx)																
Hoist With Power Trolley	Kg	160	160	200	240	200	240	330	360	330	360	425	425	575	575	
Hoist With Geared Trolley	Kg	150	150	195	230	195	230	320	350	320	350	415	415	550	550	
Hoist With Push-Pull Trolley	Kg	140	140	165	200	165	200	300	320	300	320	NOT APPLICABLE				
Hoist With Fixed Suspension	Kg	125	125	160	190	160	190	290	300	290	300	375	375	500	500	

Our Engineering Department continuously works on design improvements and hence, we reserve the right of effecting any change without notice.

www.chevigroup.com

The name that
carries weight
in more ways than one